

# Railing Order Form

717-398-0422

Fax: 717-709-1062

Email: orders@sigstairs.com

# SIGNATURE STAIRS

DATE: \_\_\_\_\_

CUSTOMER \_\_\_\_\_

P.O or JOB # \_\_\_\_\_

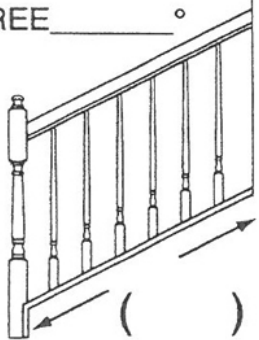
QUOTE     ORDER

**A** QUANTITY \_\_\_\_\_ DEGREE \_\_\_\_\_ °

NEWEL \_\_\_\_\_

DROP

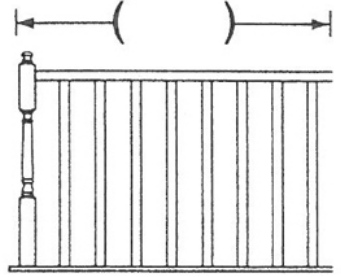
PLATEMOUNT



\$ \_\_\_\_\_ ( )

**B** QUANTITY \_\_\_\_\_

NEWEL \_\_\_\_\_



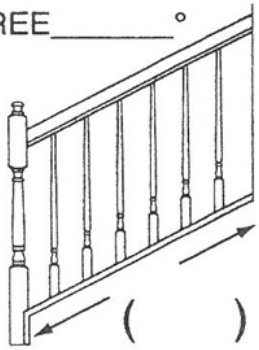
\$ \_\_\_\_\_

**C** QUANTITY \_\_\_\_\_ DEGREE \_\_\_\_\_ °

NEWEL \_\_\_\_\_

DROP

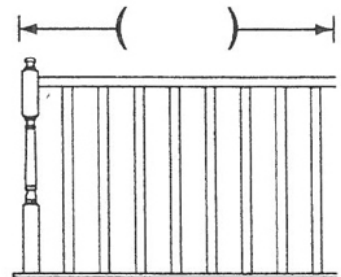
PLATEMOUNT



\$ \_\_\_\_\_ ( )

**D** QUANTITY \_\_\_\_\_

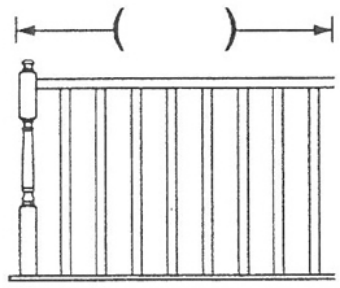
NEWEL \_\_\_\_\_



\$ \_\_\_\_\_

**E** QUANTITY \_\_\_\_\_

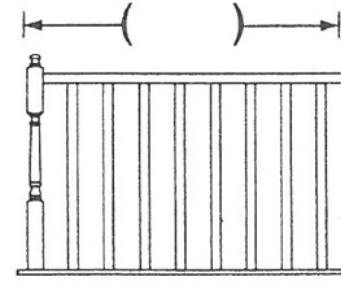
NEWEL \_\_\_\_\_



\$ \_\_\_\_\_

**F** QUANTITY \_\_\_\_\_

NEWEL \_\_\_\_\_



\$ \_\_\_\_\_

### SPECIFICATIONS

**RAIL 6010**  Oak  Poplar

\_\_\_\_\_

Plate  Shoe

Oak  6 1/2

Poplar  \_\_\_\_\_

**NEWEL**  Oak  Poplar

\_\_\_\_\_

**BALUSTERS**  Oak  1 1/4  Poplar  1 1/8  Primed

**ROSETTES** \_\_\_\_\_

**1/2 NEWELS** \_\_\_\_\_

---



---



---



---



---

**GRAND TOTAL**